



# DBK50™ & DBK51™



## 8-Channel Isolated Voltage-Input Modules

Compatibility: ✓ LogBook ✓ DaqBook ✓ DaqLab ✓ DaqScan ✓ DaqBoard/2000 Series

### Features

- Provide eight channels of isolated input
- Offer bipolar input ranges of:
  - DBK50 (high-voltage)
    - 10V, 100V, and 300V full scale input, software programmable
  - DBK51 (low-voltage)
    - 100mV, 1V, and 10V full scale input, software programmable
- Provide 500V channel-to-channel isolation and 500V channel-to-system isolation
- Powerable from:
  - included AC adapter
  - optional rechargeable battery module
  - 12V car battery
  - any +9 to +20 VDC source



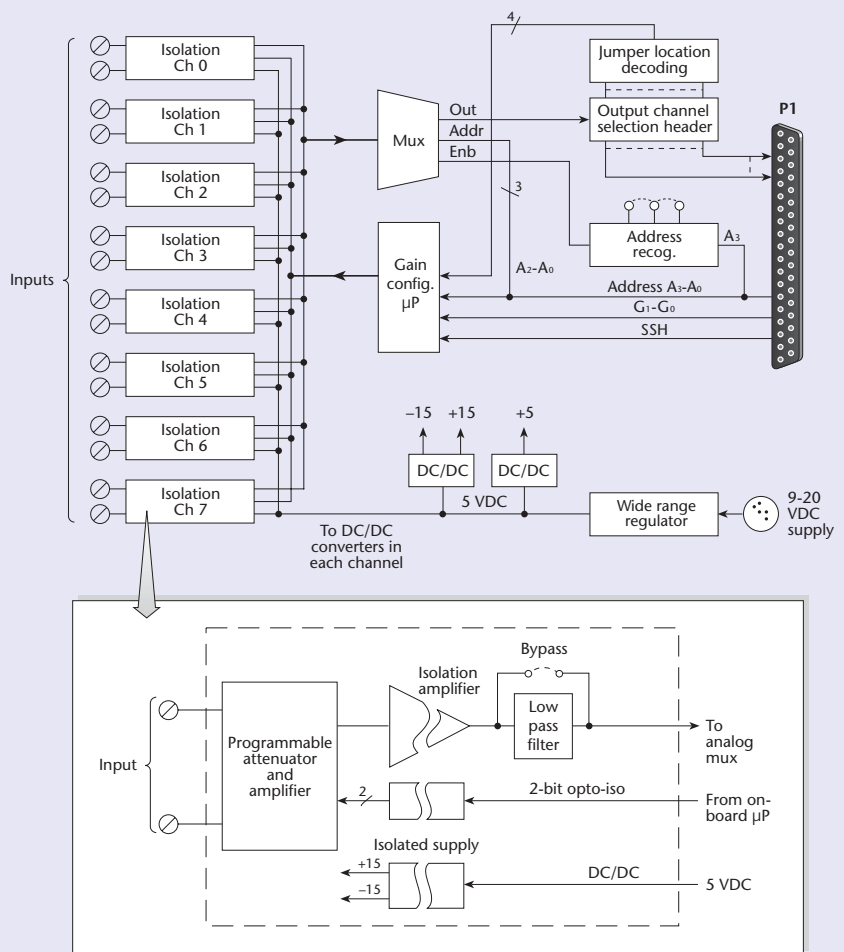
The DBK50 and DBK51 each offer eight channels of input via removable screw-terminal plugs

The DBK50™ and the DBK51™ are 8-channel, isolated voltage-input modules that allow IOtech's data acquisition systems to isolate up to 8 channels of analog input. Both the DBK50 and DBK51 modules offer 500V isolation from channel-to-channel and channel-to-system. Up to 32 modules can be connected to one data acquisition system for up to 256 isolated input channels.

**Isolated Signal Connections.** Each channel features a disconnectable screw terminal block that provides access to the analog inputs.

**Power.** The DBK50 and DBK51 include built-in DC/DC converters, allowing them to be operated from a variety of external power sources. The units can draw power from their included AC adapters; the optional DBK30A rechargeable battery module; a car battery; or any +9 to +20 VDC source.

### DBK50 & DBK51 Isolated Voltage-Input Modules Block Diagram





# DBK50™ & DBK51™

## Specifications & Ordering Information

**Input Amplifier.** The DBK50's input amplifiers provide input ranges for 10V, 100V, and 300V bipolar signals. The DBK51's input amplifiers provide input ranges for 100 mV, 1V, and 10V bipolar signals. These ranges are software programmable, allowing you to change ranges without having to access internal range-set jumpers or switches. The input amplifiers also provide a zeroed input range, which allows you to incorporate auto-zero and temperature drift compensation in your data acquisition applications.

**Bandwidth Filter.** The DBK50 and DBK51 provide a selectable 3.5 Hz, low-pass filter on each channel. The corner frequency can be bypassed by plugging in a different standard resistor network. In addition, the low-pass filter can be bypassed entirely, for a bandwidth of 20 kHz.

### Specifications

**Connector:** DB37 male, mates with P1\*  
**Inputs:** Removable screw terminal block  
**Channels:** 8, individually isolated  
**Isolation**  
**Channel-to-Channel:** 500V  
**Channel-to-System:** 500V  
**Input Impedance**  
**DBK50:** 1M Ohm  
**DBK51:** >10M Ohm  
**Bipolar Input Ranges**  
**DBK50:** ±10V, 100V, and 300Vp-p  
**DBK51:** ±100 mV, 1V, and 10Vp-p  
**Output Voltage Range:** ±5 VDC  
**Accuracy:** ±2% of range, ±1% of reading  
**Offset:** ±50 mV Max  
**Noise**  
**With Low-Pass Filter:** <5 mVp-p  
**Without Low-Pass Filter:** <50 mVp-p  
**Temp. Coefficient:** 0.2 mV/°C  
**Attenuation Ratios:**  $V_{out} = V_{in}/K$   
**High-Voltage (DBK50)**  
 10V K = 2.0 (gain = 0.5)  
 100V K = 20.0 (gain = 0.05)  
 300V K = 60.0 (gain = 0.0166)  
**Low-Voltage (DBK51)**  
 0.1V K = 0.02 (gain = 50)  
 1V K = 0.2 (gain = 5)  
 10V K = 2.0 (gain = 0.5)  
**Bandwidth:** 20 kHz (LPF bypassed)  
**Low-Pass Filter:** Factory installed 3-pole, 3.5 Hz (by-passable or user set)  
**Operating Power Voltage Range:** +9 to +20 VDC  
**Module Power Requirements:** 7.5W  
**Included AC Adapter:** 15 VDC @ 0.9A  
**Dimensions:** 285 mm W x 221 mm D x 36 mm H (11" x 8.5" x 1.375")  
**Weight:** 1.7 kg (4 lbs)  
**Power Consumption:** 35 mW

### Ordering Information

| Description                        | Part No. |
|------------------------------------|----------|
| Isolated high-voltage input module | DBK50    |
| Isolated low-voltage input module  | DBK51    |

### Accessories & Cables

|  |           |
|--|-----------|
| Rack mount kit   | RackDBK2  |
| Shielded P1 T cable for use with DaqBook/2020, LogBook/360, and WBK40/41                               | CA-255-4T |
| Shielded P1 T cable for use with DaqBook/2001, DaqBook/2005, LogBook/300, DaqLab/2001, and DaqLab/2005 | CA-255-2T |
| Ribbon cable for use with DaqScan  | CA-37-x   |

**Note:** The CA-37-x ribbon cable can also be used in lieu of the CA-255-x molded T cables.

For complete information on accessories and cables, visit [www.iotech.com/acc](http://www.iotech.com/acc)

### Related Products

|                      |        |
|----------------------|--------|
| LogBook              | p. 75  |
| DaqBook              | p. 89  |
| DaqLab               | p. 103 |
| DaqScan              | p. 108 |
| DBK8                 | p. 124 |
| DBK42                | p. 148 |
| DaqBoard/2000 Series | p. 192 |

\* Attachment to the DaqBoard/2000 requires a DBK200, DBK201, DBK202, or DBK203 adapter